



# Half Tank

**HYDRAULIC SWING GATE OPERATOR FOR CONDOMINIUM USE**  
MAX LEAF LENGTH UP TO 7 M / 23 FEET



- SEA Total Quality: all parts are manufactured and tested in-house
- The **hydraulic system grants high and long term performances**
- **By-pass valves** as an Anti-Crush safety system
- Available versions with hydraulic slow down in both opening and closing
- Aluminium oscillating back fixing fork
- **Linear encoder for the best setting on reverse and position management (optional)**
- Manual release system in aluminium for the highest security (optional)
- Standard version with lock in both directions (AC)
- External manual release with metal box (optional)
- Available 270 mm / 10.63 inches piston stroke
- Duty cycles\*: 55 per hour



On request versions with hydraulic slowdown for a smooth approach of the leaves in closing

\* Duty Cycles depend on gate size and installation



**Position Gate**  
Linear encoder (optional)



Metal release system PLUS, accessible through lock for max security (optional)



Round joint bearing for stroke adjustment

CODE	DESCRIPTION	MAX LEAF WEIGHT	MAX LEAF LENGTH	MAX OPENING DEGREE	MAX CYCLES / HOUR	PCS PER PALLETS
104AC3S0-1A-CSA	HALF TANK AC	1100 lbs	20 feet	120°	55	40
104AC3S0-CSA	HALF TANK AC BRAKE	1100 lbs	23 feet	120°	55	40
104AC4S0DB-CSA	HALF TANK AC DOUBLE BRAKE	1100 lbs	23 feet	120°	55	40

## CONTROL BOARDS

CODE	DESCRIPTION
2302A110G2DG	GATE 2 DG 110V with plastic enclosure
2302A110G2DGPW	GATE 2 DG 110V PRE-WIRED with metal enclosure 3R (21"x11"x5")
2302A220G2DGR	GATE 2 DG 220V Replace (only circuit)

\* GATE 2 DG PRE-WIRED: GATE 2 DG + Loop Module + Electric Switch + Plugs + Metal Enclosure (21"x11"x5") + 2 Plug-in Loop (see specs page 59)  
On request different dimensions

## ACCESSORIES



**12715105-CSA**  
**PS270**  
Positive Stop  
(1 pc)



**12711065 \*\*\***  
**POSITION GATE**  
Linear Encoder with accessories



**12710060**  
**SECHT**  
External release with box (1 pc)



**12710345**  
**HTLOCK**  
Metal release PLUS with lock (1)



**23105053-I**  
**STAR 500**  
Battery back-up for AC motors 110V



**23105019**  
**PROBE**  
kit probe to manage low temperature (card LE+ cable 6 feet-1,8 m)



**16700060**  
**LOCK KIT 12V**  
Electric lock Counter-plate for horizontal or vertical mounting external and internal cylinder



**12715070**  
**BRA**  
Adjustable back bracket to screw n.2 pcs



**OIL**  
Green oil in 1 quart bottle



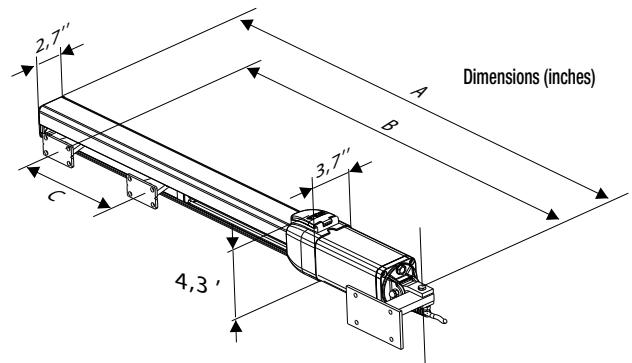
**12710500**  
**PA95**  
Pantograph Arm for 95°



**12710515**  
**PA130**  
Pantograph Arm for 130°



**16700047**  
**G-LOCK**  
Magnetic Lock



MODEL	A	B	C
HT	41,33 in	39,37 in	10,62 in
HT with brake	43,66 in	40,23 in	10,62 in



(\* \*) Only for HALF TANK BRAKE - (\*\*\*) Need LE card page 62  
For leaf length over 6 feet an electric or magnetic lock is recommended  
(1) On the HALF TANK with Position Gate cannot be installed the release with Din key